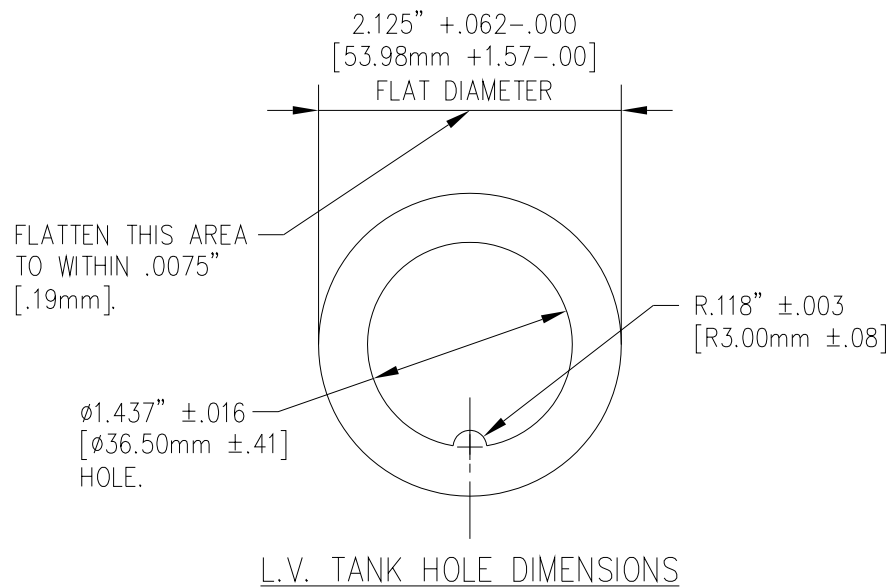


REVISIONS					
NO.	DATE	ECN #	REMARKS	BY	APPD.
1	8-20-96		CORRECTIONS TO DWG: TOL. NOTE: .003" TO .03" DIM: 2.95" TO 2.96" DIM: 1.25" TO 1.21"	TLH	JFS
2	01-23-97		ADDED PORC. NOTE 1 & 4.	BTD	LHE
3	2-17-97		REMOVED NOTE #1 (INCLUDES TWO EXTRA BRASS NUTS)	BTD	LHE
4	3-18-99		REVISED PORC. & DIMS.	CJT	LHE
5	12-1-99		EDITED DIMENSIONS.	CJT	LHE
6	1-16-02	HJ01-231	REMOVED TORQUE NOTE.	CJT	LHE



△ PORCELAIN NOTES:

1. WET PROCESS ELECTRICAL PORCELAIN
- △ 2. GREY GLAZE MUNSELL 5BG 7.0/0.4
3. TOLERANCE ±3% WITH NOTHING LESS THAN ±.03.
4. PORCELAIN IS INSPECTED TO H-J ENTERPRISES' INSPECTION GUIDELINES AND STANDARDS DOCUMENT P0161997

MATERIAL:

STUD - COPPER CDA 110.
 BODY - CDA 844 TIN PLATED.
 EYEBOLT - CDA 955 TIN PLATED

TOLERANCES (EXCEPT AS NOTED)	
DECIMAL	± .032" / .8mm
FRACTIONAL	±
ANGULAR	± 2°



H-J ENTERPRISES, INC.
 3010 HIGH RIDGE BLVD. HIGH RIDGE, MO. 63049 USA
 PHONE 1-636-677-3421 FAX 1-636-376-1915

50 KVA L.V. BUSHING ASSEMBLY
 WET PROCESS PORCELAIN

MATERIAL (SEE ABOVE)		
CHK'D	APP'D	DRAWING NO.
DATE	SCALE	AS1002-021
4-11-96	N.T.S.	

DRAWN BY TLH